



LDV 1000

LEVEL SENSING DRAIN VALVES

INSTALLATION & SERVICE INSTRUCTIONS

WARNING

1. Valve discharges under pressure, stay away from flow path
2. Install and Remove only when depressurized and electrically disconnected

MODEL:LDV 1000

To ensure proper performance of your Trident Level Sensing Drain Valve, proper selection is needed. Please verify your model before reading this manual.

PRINCIPLE OF OPERATION:

Level Sensing Drain Valves are designed for installation on equipment requiring draining of accumulated fluids of compressed air. The valves are opened based on condensate level in the valve, once the water level reaches upper level, the sensor senses the condensate and energizes the outlet solenoid valve, the moment the condensate reaches lower level it de-energize the outlet solenoid valve ensuring no loss of compressed air. A Bi-color LED Indicator glows RED when energized and GREEN when draining.

INSTALLATION PROCEDURE:

1. Ensure pressure & voltage are as specified in the valve
2. Prior to installing, close all pressure lines to vessel and blow down the solid particles inside
3. Install a manual shut off valve on drain line before the LDV. This will enable to remove drain valve without interrupting compressed air system
4. Install valve as per the installation drawing shown below. Before installing apply proper thread sealant
5. Connect to the electrical source as per the specification through a fused outlet

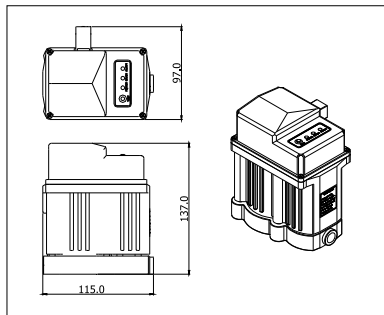
6. Open shut off valve and switch ON power supply to operate the Drain valve

MAINTENANCE:

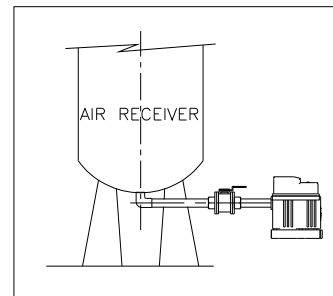
- Check the Drain function Daily.
- Check the Valve function by pressing Test Button at least weekly once.
- Replace O-rings and seals every 3 Years

SPECIFICATION:

Inlet : ½" BSP (F)
Outlet : ¼" Hose Barb
Electrical Connection : DIN 43650 Micro
Operating Ambient : 3 – 70° C, 0 – 100% RH



Recommended Installation



STANDARD LIMITED WARRANTY

Products of Trident Pneumatics Pvt Ltd are warranted for a period of 1 year from the date of supply to be free from defects in material and workmanship and operated in accordance to the instructions outlined in the installation manual.

Trident Pneumatics Obligation under the warranty shall be limited to repair or replace (at the discretion of Trident). Please send material freight paid to the dealer from whom purchased, with a copy of Purchase Invoice

REACH PNEUMATICS

42/2, 6TH Cross, 5th Main,

Malleswaram, Bangalore-560003. India.

Phone: +91 80 23469620, Telefax: +91 80 23465570. Cell: 9845075620

e-mail: reachp@vsnl.com

reachpneumatics@gmail.com