



ENGINEERING INDUSTRIES



MEDICAL SECTORS



HEAVY INDUSTRIES



# DISTRIBUTION TRANSFORMER



# SERVOMAX INDIA LIMITED.

AN ISO 9001:2000 COMPANY

FOOD INDUSTRIES

CORPORATE OFFICES

SHOPPING MALLS



# DISTRIBUTION TRANSFORMERS



## Specifications

- \* 3 phase, 50 Hz in voltages of 11 Kv, 22 Kv and 33 Kv
- \* Off-circuit tap changer to provide +5% to -10% taps in steps of 2.5%
- \* On-load tap changer to provide +7% to -21% taps in steps of 1.75%
- \* Class A insulated Copper wound
- \* Vector group Dyn 11
- \* Continuous duty
- \* Painting as per IS/IEC standards
- \* HV side cable box LV side cable box/bus duct
- \* Standard fittings as per IS 2026/IEC 76

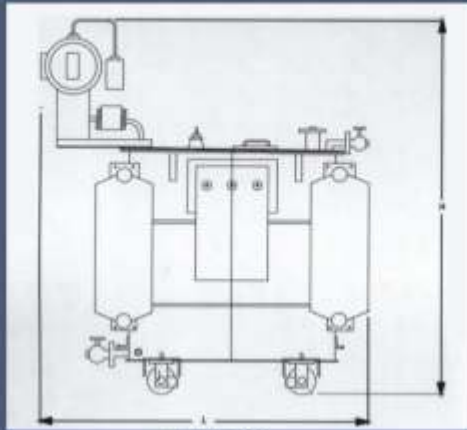
## Features

- \* Designed for 25 years of trouble-free performance
- \* Design conforms to IS 2026, BS 171, IEC 76 and other relevant standards
- \* Very low power loss and low noise
- \* Withstands electrical impulses, thermal and dynamic stresses
- \* Optimum utilization of active materials for sleek design
- \* Latest manufacturing techniques ensure cost effectiveness and reliability

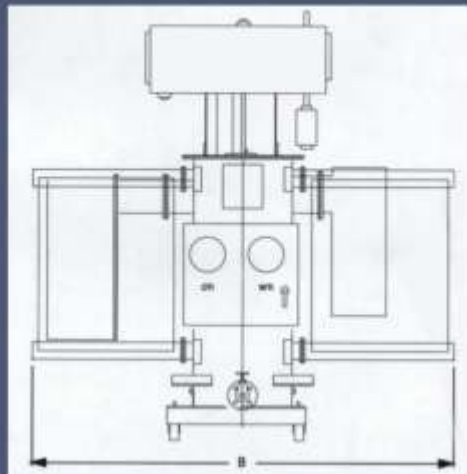


## Optional accessories

- \* Pressure relief valve without contact/with contact
- \* Alarm and trip contact with Buchholz relay
- \* Oil temperature indicator
- \* Winding temperature
- \* Magnetic oil level gauge
- \* Marshalling box to house oil temperature indicator and winding temperature indicator
- \* Neutral current transformer



ELEVATION



END VIEW

Sl. No.	Rating	Overall Dimensions (mm)			Oil	Total Wt.	%Z
		KVA	Length(L)	Breadth(B)	Height(H)	Litres	
1	100	1320	850	1660	190	700	4.50
2	160	1320	1180	1660	215	865	4.50
3	200	1320	1290	1660	220	950	4.50
4	250	1320	1840	1660	245	1065	4.75
5	315	1800	1175	1770	310	1240	4.75
6	400	1800	1375	1770	360	1470	5.50
7	500	1800	1775	1770	380	1620	5.00
8	630	2055	1670	1975	420	1980	5.00
9	750	2055	1970	1975	460	2260	5.00
10	1000	2055	2270	1975	590	2910	5.00
11	1250	2100	2300	2300	665	3415	5.00
12	1600	3070	2350	2435	870	4230	6.25
13	2000	3100	2550	2435	920	5130	6.25
14	2500	3180	2600	2600	1100	5900	6.25
15	3150	3250	2690	2860	1340	7100	6.25

Note : Due to Constant improvement in the product, Servomax India Limited reserves the right to change Specifications and details mentioned in this Brochure.

**SERVOMAX INDIA LTD.**, Established in 1982 is one of the leading Manufacturer and Exporter of Electric Power Transformers, High Voltage Transformers in India. We are an ISO 9001: 2000 Certified Company with an extensive product range of Voltage Transformers, Power Transformers and Distribution Power Transformers from 10 KVA to 3150 KVA of 11 KV class and from 100 KVA to 8000 KVA of 33 KV class. SERVOMAX also undertakes manufacturing of special purpose transformers against customer's specifications which is our special field of interest.

Servomax Transformers are manufactured under the expert engineer's guidance with latest technical know-how.

Servomax Transformers are designed to meet all the latest National and International standards including IS, IEC, ANSI, BS, DIN etc. Servomax products undergo strict quality control at every stage of manufacturing process under a watchful team of experienced engineers and follow a quality assurance program. The transformers are put through required tests before dispatch as per IS specification. Test certificate containing the test results along with guarantee is provided to the buyer. Wide range of Transformers have been tested at Central Power Research Institute, Bangalore.

Various capacities of Transformers have been supplied to Commercial Complexes, Hospitals, Industries, Theatres and Co-operative Societies. We are also having an export department which has qualified and experienced personnel to ensure quick response to its export queries.

Customer Service and satisfaction have always been our motive and Quality an obsession. Prompt after - sale service is our strength. Customer calls are attended immediately by service department which is manned by skilled and experienced staff.

We also work on O.E.M. Contract and manufacture product with the clients brand.



## REACH PNEUMATICS

# 42/2, 6TH Cross, 5th Main, Malleswaram, Bangalore-560003. India.  
Phone: +91 80 23469620, Telefax: +91 80 23465570. Cell: 9845075620  
e-mail: [reachp@vsnl.com](mailto:reachp@vsnl.com). [reachpneumatics@gmail.com](mailto:reachpneumatics@gmail.com)